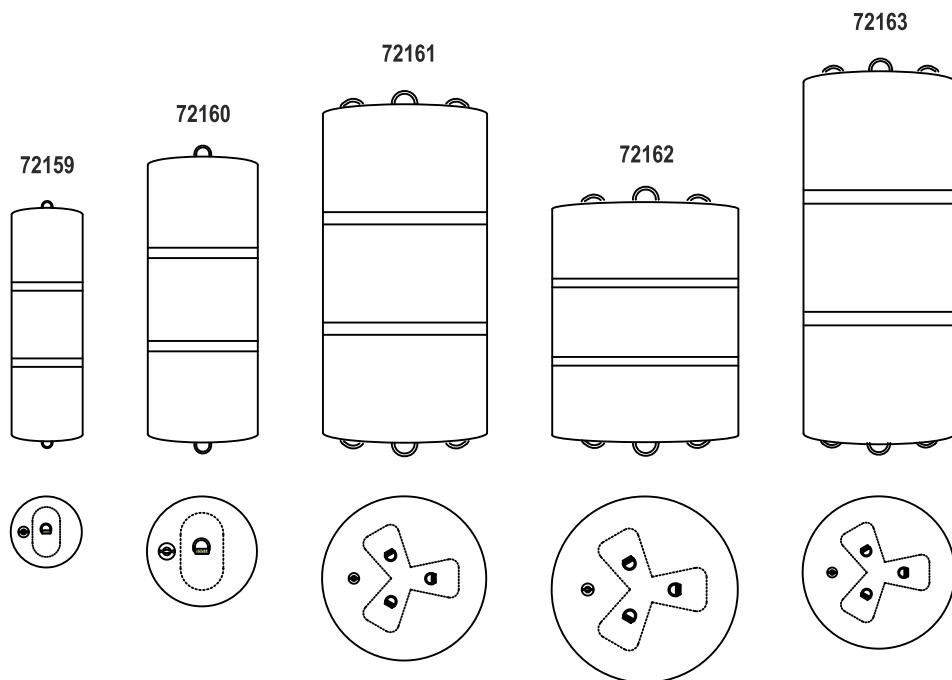


# MAGNUS

# FENDER



Code	72159	72160	72161	72162	72163
Diameter (cm)	42	65	97	110	90
Length (cm)	132	160	191	135	210
D-ring on top	1	1	3	3	3
D-ring on bottom	1	1	3	3	3

*Recommended inflation pressure: 2,4psi*



- Thickness: 1.2mm
- PVC Body
- D-ring
- Wrap around tape